

# Product data sheet

## Characteristics

# TM171ACAN

## Modicon M171 Performance Plug-in CAN

Product availability: Non-Stock - Not normally stocked in distribution facility

Price\*: 91.70 USD



### Main

Range of Product	Modicon M171
Product or Component Type	Communication module
Communication Port Protocol	CAN2.B

### Complementary

Integrated connection type	CAN port wire crimp - twisted pair
Physical interface	Twisted pair
Supply	Via base board EVD/EVC
Product Compatibility	Logic controller M172 performance Logic controller M171 performance
Net Weight	0.17 Lb(US) (0.077 kg)

### Environment

Product Certifications	CE CSA CURus EAC
Marking	CE
IP Degree of Protection	IP20
Ambient Air Temperature for Operation	14...131 °F (-10...55 °C)
Ambient Air Temperature for Storage	-4...185 °F (-20...85 °C)
Relative Humidity	10...90 % without condensation

### Ordering and shipping details

Category	22537 - M171 / M172 HVAC CONTROLLERS
Discount Schedule	PC12
GTIN	03606480752421
Nbr. of units in pkg.	1
Package weight(Lbs)	6.38 Oz (181 g)
Returnability	No
Country of origin	IT

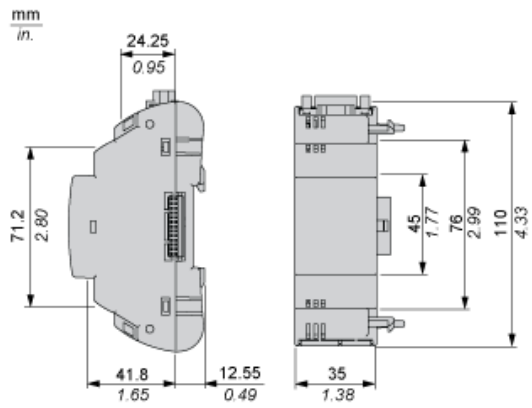
## Packing Units

Unit Type of Package 1	PCE
Package 1 Height	5.12 In (13 cm)
Package 1 width	3.58 In (9.1 cm)
Package 1 Length	7.28 In (18.5 cm)
Unit Type of Package 2	S02
Number of Units in Package 2	6
Package 2 Weight	3.01 Lb(US) (1.367 kg)
Package 2 Height	5.91 In (15 cm)
Package 2 width	11.81 In (30 cm)
Package 2 Length	15.75 In (40 cm)

## Offer Sustainability

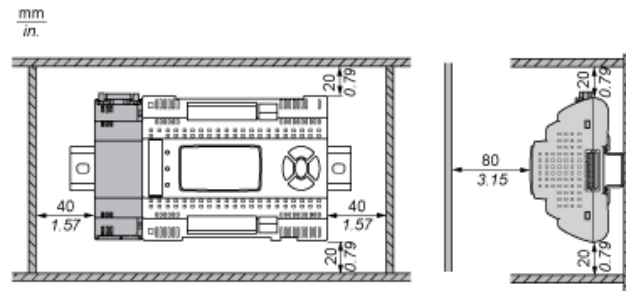
California proposition 65	WARNING: This product can expose you to chemicals including: Lead and lead compounds, which is known to the State of California to cause cancer and birth defects or other reproductive harm. For more information go to <a href="http://www.P65Warnings.ca.gov">www.P65Warnings.ca.gov</a>
REACH Regulation	<a href="#">REACH Declaration</a>
REACH free of SVHC	Yes
EU RoHS Directive	Pro-active compliance (Product out of EU RoHS legal scope) <a href="#">EU RoHS Declaration</a>
Mercury free	Yes
RoHS exemption information	<a href="#">Yes</a>
China RoHS Regulation	<a href="#">China RoHS Declaration</a>
WEEE	The product must be disposed on European Union markets following specific waste collection and never end up in rubbish bins.

Dimensions

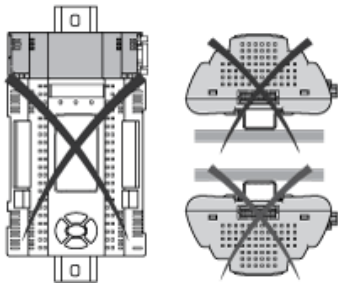


## Mounting and Clearance

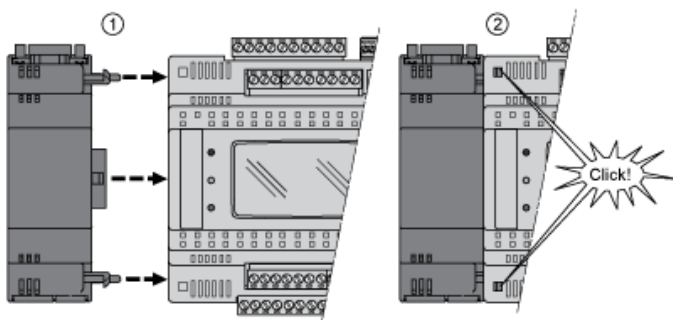
### Clearance



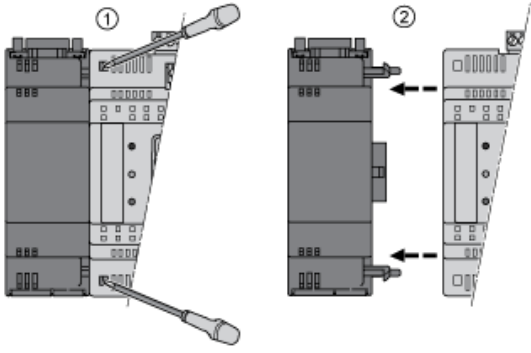
### Misplacement



### Mounting on Controller



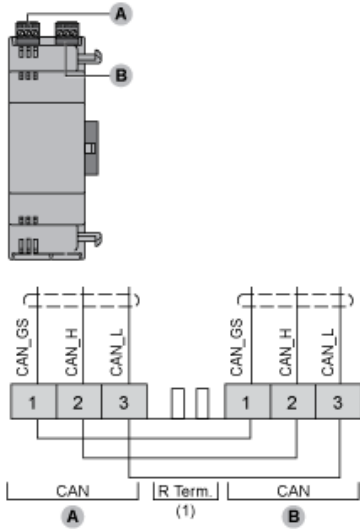
### Dismounting



Connections and Schema

CAN Communication Module

TM171ACAN



(1) CAN terminal resistance.

Product Life Status : **Commercialised**